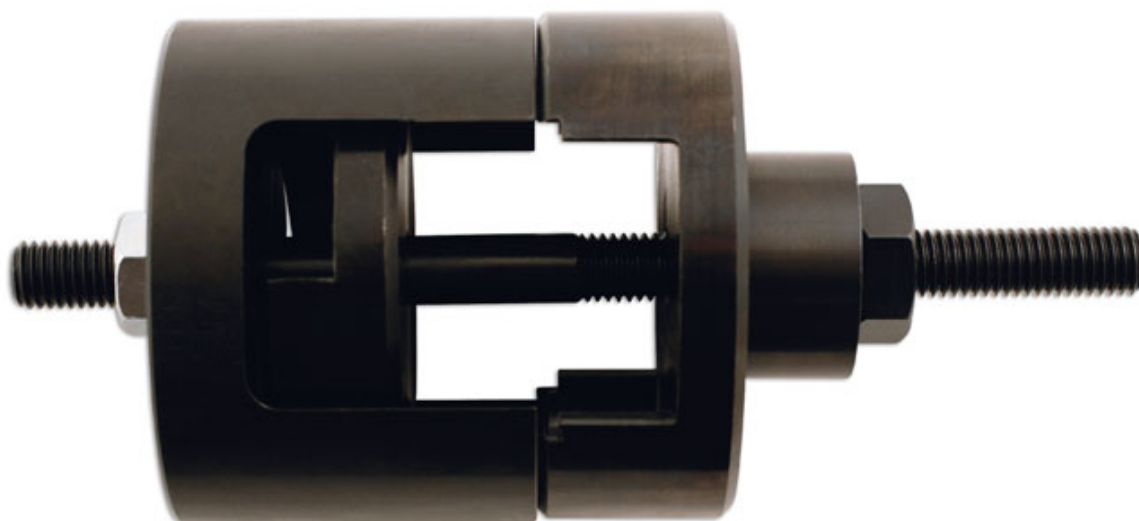




## Rear Bush Tool - for Renault Laguna

Part of a range of vehicle specific tools, for the removal and fitting of bushes and ball joints, without having to remove suspension legs, subframes, wishbones, trailing arms etc from the vehicle. Designed to be used in-situ, although many can also be used in a workshop press if circumstances require.



### Additional Information

- Application: Renault Laguna II.
- For the removal and refitting of rear axle bushes on Laguna II (OEM Ref. 1751).
- Spare part available: Centre screw (Part No. 2300).
- Use with Ratchet Ring Spanner - Flexi Head 24mm (Part No. 5753).
- 

<http://lasertools.co.uk/product/5125>

