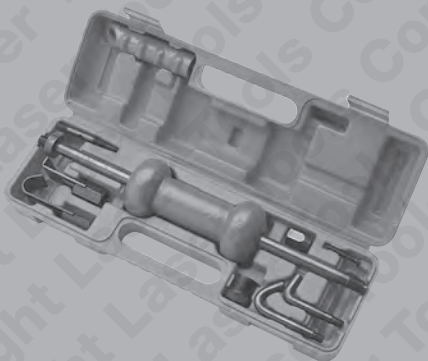


LASER[®]

Dent Puller Set 9pc

Instructions



This tool is capable of exerting 5lb of force and will pull out damaged body panels and other metal distortions using 5 special end attachments and screw extractor with adaptors.

The sliding hammer consists of 5lb sliding weight, rubber coated handle for extra grip and sliding bar with screw end for 8 attachments.

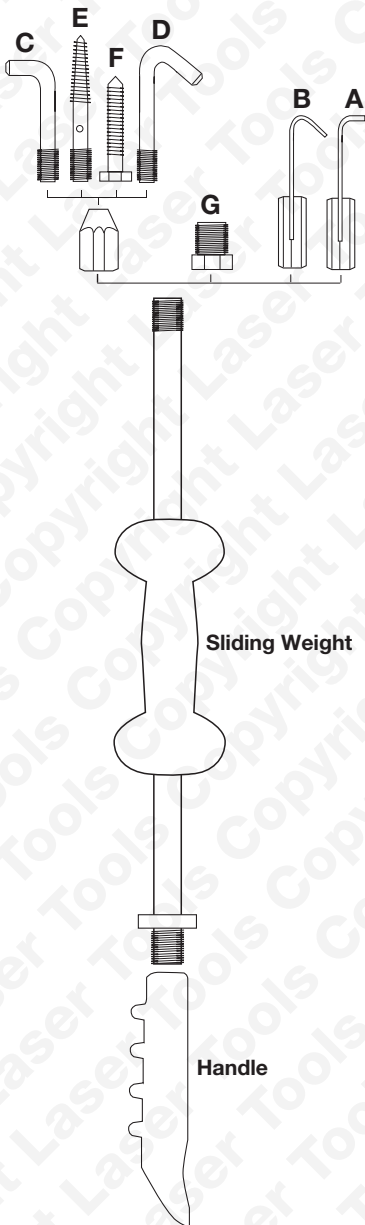


5 018341 027957 >

Guarantee

If this product fails through faulty materials or workmanship, contact our service department direct on: **+44 (0) 1926 818186**. Normal wear and tear are excluded as are consumable items and abuse.

Plan Layout



Dent Puller Set

This robust Dent (Slide Hammer) Puller Set is capable of exerting 5lb of force and will pull out damaged body panels and other metal distortions using 5 special end attachments and screw extractor with adaptors

The sliding hammer consists of 5lb sliding weight, rubber coated handle for extra grip and sliding bar with screw end for 8 attachments.

Attachments include:

- 90 degree Flat Steel (A)
- 35 degree Flat Steel (B)
- 90 degree Round Steel (C)
- 35 degree Round Steel (D)
- Screw extractor (E)
- Hex head Screw (F)
- Large Adaptor (G)

We cannot consider a warranty claim for tool failure if you have used the kit incorrectly or if you use it for any other purpose than that for which it is intended. Nor can we be held responsible in any way for personal injury caused whilst using this kit. Laser cannot be held responsible for damage caused to any vehicle whilst using these tools.

Component parts are available from Laser Tools and not through the distributor.

THREADED BAR SHOULD BE GREASED PRIOR AND AFTER USE.