

LASER®

Part No. 5094

Brake Piston Rewind Set

- Vauxhall | Opel



www.lasertools.co.uk

Guarantee



Distributed by The Tool Connection Ltd
Kington Road, Southam, Warwickshire CV47 0DR
T +44 (0) 1926 815000 F +44 (0) 1926 815888
info@toolconnection.co.uk www.toolconnection.co.uk

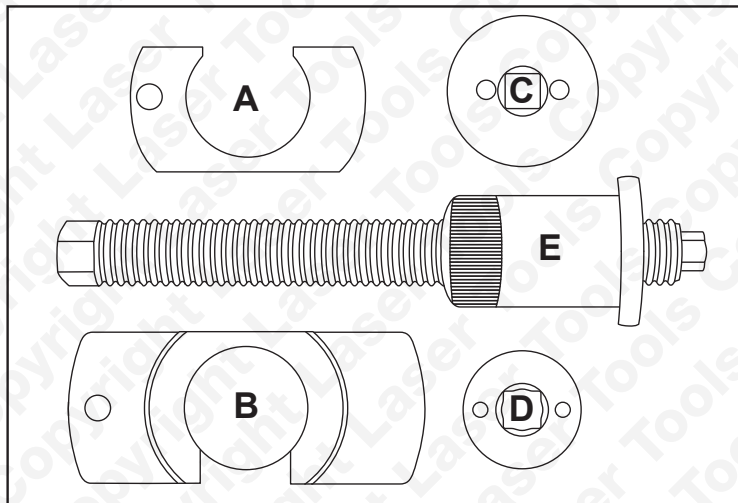
If this product fails through faulty materials or workmanship, contact our service department direct on: **+44 (0) 1926 818186**. Normal wear and tear are excluded as are consumable items and abuse.

www.lasertools.co.uk

www.lasertools.co.uk

Brake Piston Rewind Set - Vauxhall | Opel

Description: A kit designed to fit the rear calipers fitted to late model Vauxhall/Opel. The kit contains 2 double sided adaptors and 2 reaction straps to allow use across the range of calipers



Ref	Description
A/B	2 reaction straps
C/D	2 double sided adaptors
E	Piston Rewind Tools

Instructions

- Ensure the Vehicle is securely supported with the rear wheels removed and Handbrake/parking brake off.
- Check the Handbrake cables are correctly set and the cable lever on the caliper is fully back on its stop.
- Free the caliper as per manufacturer's instructions to allow the worn pads to be removed.
- Select the appropriate adaptor and reaction strap and assemble the tool on the caliper.
- Before forcing the piston back it is considered best practice to open the caliper bleed nipple and fit a bleed bottle so that when the piston is pushed back the old fluid in the caliper is expelled from the system and not forced back up to the reservoir.

Applications

Manufacturer	Year
Agila-B	2008-
Astra-G	1998-2003
Astra-H	2004-2009
Astra-J	2010-
Corsa-C	2001-2006
Corsa-C Combo	2002-
Corsa-D	2007-
Insignia	2009-

Manufacturer	Year
Meriva	2003-2010
Meriva-B	2010-
Movano-B	2010-
Signum	2003-2008
Speedster	2001-2006
Vectra-C	2003-2008
Zafira-A	1999-2004
Zafira-B	2005-2010