

Precautions

- Always lubricate the threaded force screw with molybdenum disulphide grease before using the tools. Keep force screw threads clean and free of debris.
- Do not use air and/or impact tools with this equipment. This will void the warranty.
- Always refer to manufacturer's documentation before commencing the job.
- Before fitting the new bearing/flange assembly clean the area at the back of the hub, and around the hub housing. Any dirt or debris left within the hub housing could prevent the bearing from seating properly and cause premature failure.
- Do not fit a bearing with a damaged retaining ring.
- Wear hand and eye protection.



Safety First. Be Protected.

Our products are designed to be used correctly and with care for the purpose for which they are intended. No liability is accepted by the Tool Connection for incorrect use of any of our products, and the Tool Connection cannot be held responsible for any damage to personnel, property or equipment when using the tools. Incorrect use will also invalidate the warranty.

If applicable, the applications database and any instructional information provided has been designed to offer general guidance for a particular tool's use and while all attention is given to the accuracy of the data no project should be attempted without referring first to the manufacturer's technical documentation (workshop or instruction manual) or the use of a recognised authority such as Autodata.

It is our policy to continually improve our products and thus we reserve the right to alter specifications and components without prior notice. It is the responsibility of the user to ensure the suitability of the tools and information prior to their use.



www.lasertools.co.uk

Guarantee

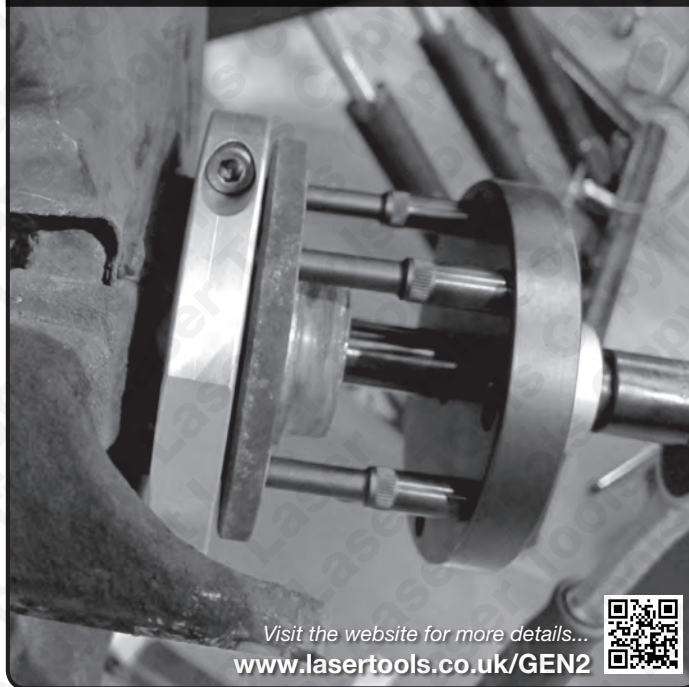
Distributed by The Tool Connection Ltd
Kington Road, Southam, Warwickshire CV47 0DR
T: +44 (0) 1926 818186 F: +44 (0) 1926 818188
info@toolconnection.co.uk www.toolconnection.co.uk

If this product fails through faulty materials or workmanship, contact our service department direct on: **+44 (0) 1926 818186**. Normal wear and tear are excluded as are consumable items and abuse.

LASER[®]

Part No. 5937-5953

Wheel Bearing Component Range



Visit the website for more details...
www.lasertools.co.uk/GEN2



www.lasertools.co.uk

www.lasertools.co.uk

Instructions

The wheel bearing component range has been introduced to increase the applications of each Master Kit.

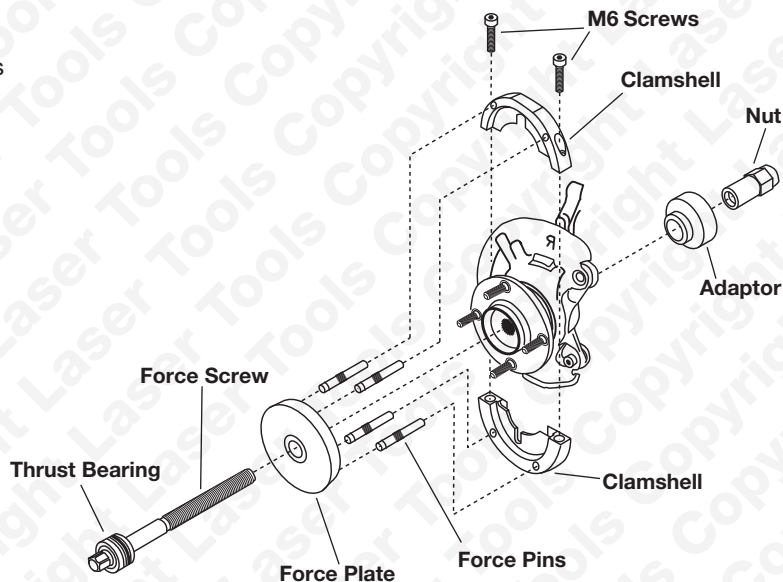
If any Master Kit has been purchased it is simple to upgrade this kit to cover other applications.

All known applications are listed on our website:
www.lasertools.co.uk/GEN2

The critical element is the size of the wheel bearing which is listed in the table below.

Each component can be purchased separately if it is not included in your Master Kit.

Force screws and nuts are considered consumable items and can be purchased from your tool supplier. Part numbers are listed below.



Warning

Before commencing the bearing removal, be aware of the close proximity of the **ABS sensor**, as it can be damaged in the process.

Bearing size	Front or Rear	Nut*	Force Screw*	Thrust Bearing	Force Plate & Pins	Extraction Clamshells & Adaptor	Insertion Clamshells & Adaptor	Master kits available
62mm	Rear	0108	0454	0662	5943	5938	5937	5576/5587
66mm	Front	0108	0454	0662	5943	5940	5939	5576/5587
72mm	Front	0108	0454	0662	5943	5942	5941	5473/5587
75mm	Front	0108	0454	0662	5949	5948	5950	5823
78mm	Front	0108	0454	0662	5949	5944	5945	5568
82mm	Front	0108	0454	0662	5949	5946	5947	5784
85mm	Front	0108	0454	0662	5953	5952	5951	5582/5587

*Consumable