

## Applications

Make	Model	Years
Dacia	Duster 1.6 16V	2010-2015
	Logan 1.6 16V	2006-2011
Nissan	Kubistar 1.6 16V	2003-2009
Renault	Clio Mk II 1.4 16V	1999-2009
	Clio Mk II 1.6 16V	1998-2014
	Kangoo 1.6 16V	2001-2015
	Laguna 1.6 16V	1997-2007
	Logan 1.6 16V	2006-2011
	Megane 1.4 16V	1999-2009
	Megane 1.6 16V	1999-2015
	Modus/Grand Modus	2004-2013
	Scénic	1999-2009
	Thalia	2000-2008

## Engine Code

1.4	K4J 710, K4J 712, K4J 713, K4J 714, K4J 730, K4J 732, K4J 740, K4J 750, K4J 770, K4J 780
1.6	K4M 606, K4M 690, K4M 696, K4M 697, K4M 700, K4M 701, K4M 704, K4M 706, K4M 708, K4M 710, K4M 714, K4M 742, K4M 743, K4M 744, K4M 745, K4M 748, K4M 750, K4M 752, K4M 753, K4M 788, K4M 830, K4M 834, K4M 848, K4M 850, K4M 856, K7M 710

## Guarantee

If this product fails through faulty materials or workmanship, contact our service department direct on: **+44 (0) 1926 818186**. Normal wear and tear are excluded as are consumable items and abuse.

**TOOL CONNECTION**  
The Complete Connection

Distributed by The Tool Connection Ltd

Kineton Road, Southam, Warwickshire CV47 0DR  
T +44 (0) 1926 815000 F +44 (0) 1926 815888  
info@toolconnection.co.uk [www.toolconnection.co.uk](http://www.toolconnection.co.uk)



# LASER®

6563

## Cam-Belt Tool Kit

Renault/Dacia/Nissan Petrol 1.4/1.6

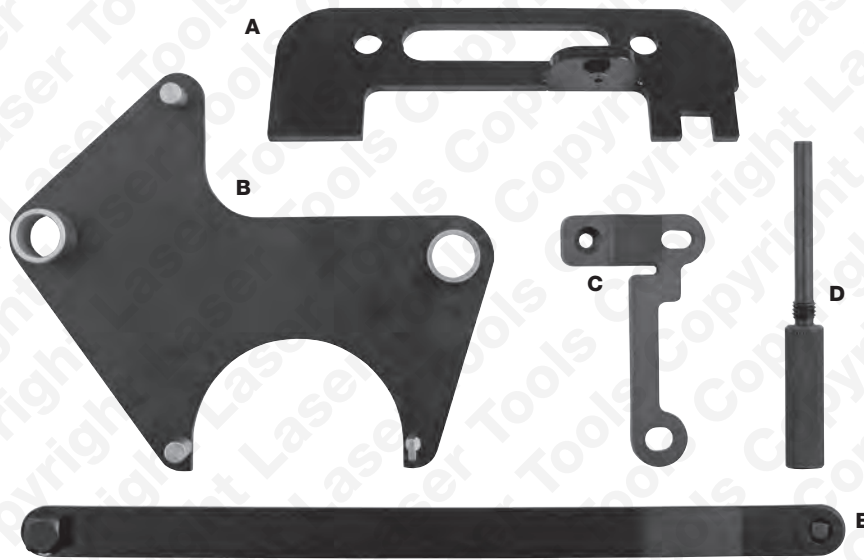


- Essential camshaft and crankshaft and guide pulley tools for the 1.4/1.6 DOHC Renault developed petrol engines.
- Engine Code K4J and K4M found across the Renault, Nissan and Dacia ranges.

## 6563 - Cambelt Tool Kit

- The 6563 kit contains the essential camshaft, crankshaft and guide pulley tools for the 1.4/1.6 DOHC Renault developed petrol engines listed below. The K4J and K4M engine codes are found across the Renault and Dacia ranges.
- The following instructions are for guidance only. Please refer to OEM derived data such as the vehicles manufactures own data or Autodata.
- The use of these engine timing tools is the user's responsibility and Tool Connection cannot be held liable for any damage caused what so ever.

## Components



Ref	Code	OEM Number	Description
A	C120	MOT 1496	Camshaft setting bar
B	C126	MOT 1490-01	Camshaft pulley alignment tool
C	C402	MOT 1750	Mounting bracket for A
D	C037	MOT 1489	Crankshaft timing pin
E	C264	MOT 1368	Guide pulley wrench

## Timing Belt Numbers

INA	Contitech	Gates
INA 530 0092 10	CT1179K1	K015671XS

## Instructions

