

Applications

Make	Model	Years
Volvo	C30 - D3, D4, D5	2010-2012
	C70 II Convertible - D3, D4	2007-2013
	S40 II (MS) - D3, D4, D5	2006-2012
	S60 I	2001-2010
	S60 II - D3, D4, D5	2010-2015
	S80 I	2001-2006
	S80 II D3, D4, D5	2012-2015
	V40 D3, D4	2012-2015
	V50 D3, D4, D5	2006-2012
	V60 - D3, D4, D5, Hybrid	2010-2015
	V70 Mk II	2001-2007
	V70 III D3, D4, D5	2007-2015
	XC70 Cross Country -D5	2002-2007
	XC70 II - D3, D4, D5	2007-2015
	XC60 - D3, D4, D5	2008-2015
XC90 I - D3,D5	2002-2014	

Engine Code

2.0	D 5204 T, D 5204 T2, D 5204 T3, D 5204 T4, D 5204 T5, D 5204 T6, D 5204 T7
2.5	D 5244 T, D 5244 T2, D 5244 T4, D 5244 T5, D 5244 T7, D 5244 T8, D 5244 T9, D 5244 T10, D 5244 T11, D 5244 T13, D 5244 T14, D 5244 T15, D 5244 T16, D 5244 T17, D 5244 T18

Guarantee

If this product fails through faulty materials or workmanship, contact our service department direct on: **+44 (0) 1926 818186**. Normal wear and tear are excluded as are consumable items and abuse.

TOOL CONNECTION
The Complete Connection

Distributed by The Tool Connection Ltd

Kineton Road, Southam, Warwickshire CV47 0DR
T +44 (0) 1926 815000 F +44 (0) 1926 815888
info@toolconnection.co.uk www.toolconnection.co.uk

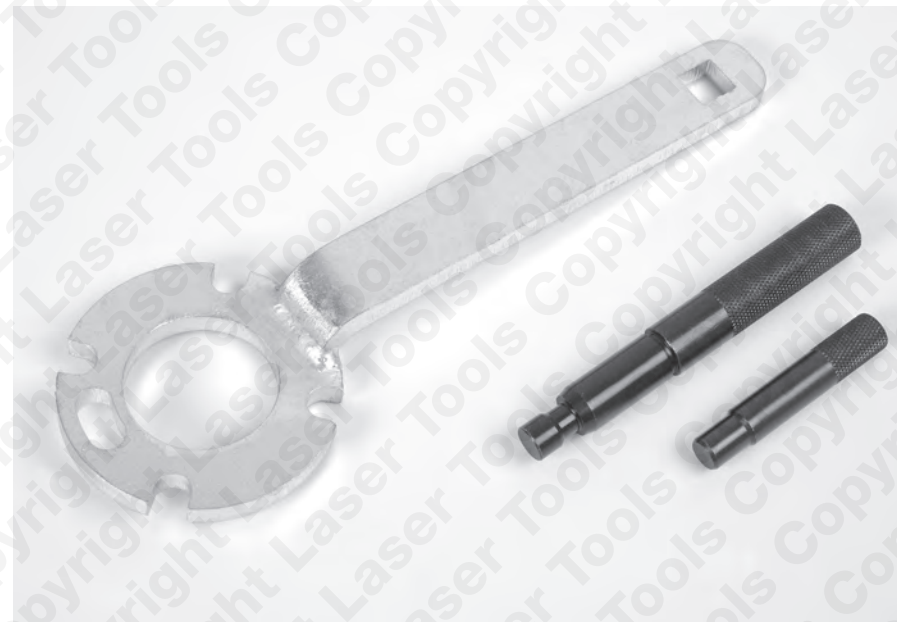


LASER®

6564

Cam-Belt Tool Kit

Volvo Diesel 5 Cyl 2.0/2.4

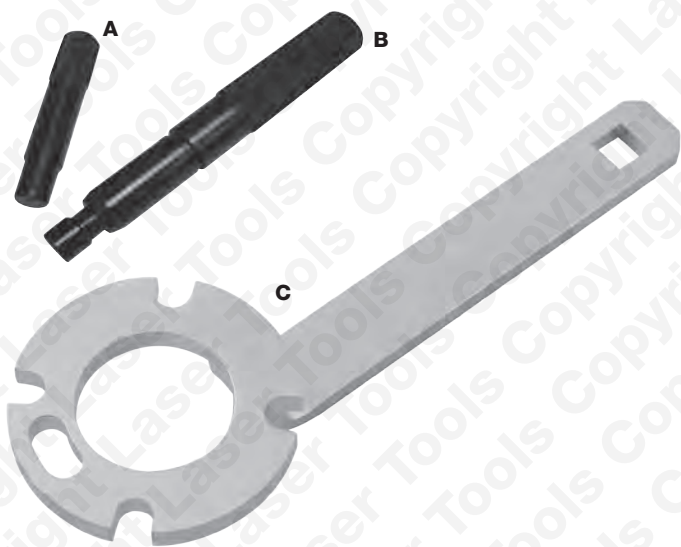


- Essential camshaft and crankshaft setting pins to allow the replacement of the camshaft drive belt on the Volvo developed 2.0 and 2.5 5cyl diesel engines which have proved so popular in the Volvo range.

6563 - Cambelt Tool Kit

- The 6564 timing tool kit provides the essential camshaft and crankshaft setting pins to allow replacement of the camshaft drive belt on the Volvo developed 2.0 and 2.5 litre 5 cylinder diesel engines which have proved so popular in the Volvo range.
- The following instructions are for guidance only. Please refer to OEM derived data such as the vehicles manufactures own data or Autodata.
- The use of these engine timing tools is the user's responsibility and Tool Connection cannot be held liable for any damage caused what so ever.

Components



Ref	Code	OEM Number	Description
A	C575	999 7007	Camshaft alignment pin
B	C576	999 7005	Crankshaft alignment pin
C	C528	999 5433	Crankshaft pulley holding tool

Timing Belt Numbers

INA	Contitech	Gates
INA 530 0582 10	CT1010K1	KO15580XS

Instructions

