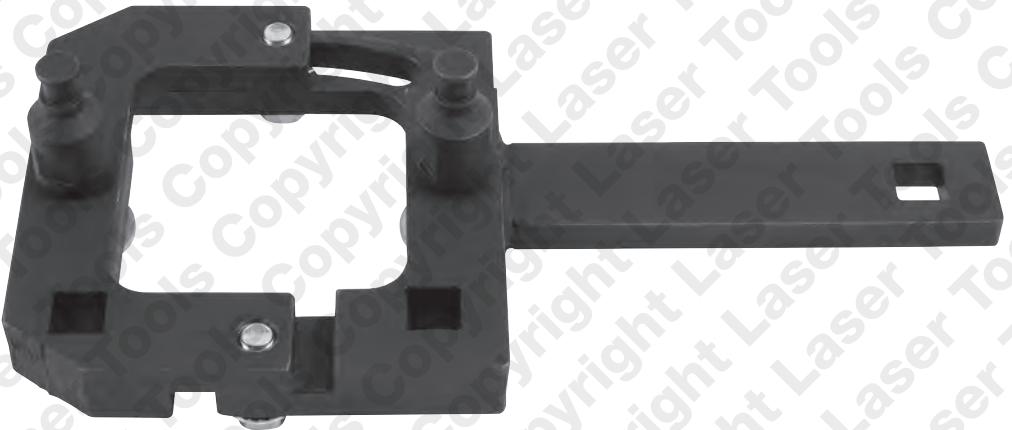


Part No. 6966

# LASER<sup>®</sup>

## Crankshaft Pulley Holding Tool

### Instructions



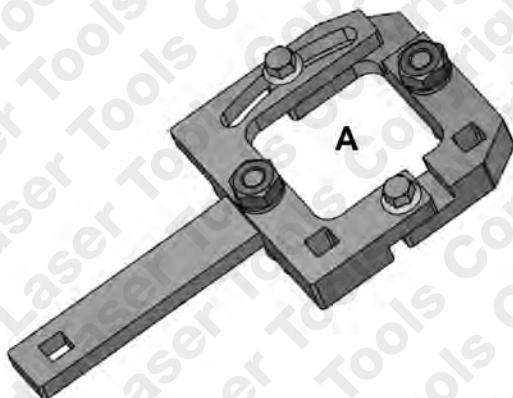
 <sup>®</sup> MADE IN SHEFFIELD

[www.lasertools.co.uk](http://www.lasertools.co.uk)

## Components

The use requires the use of a suitable ½"D wrench, breaker bar or power bar.

Designed to adjust to fit the crankshaft pulley so the pulley can be held for safe removal of the fixing bolts.



Ref	Code	OEM	Description
A	C814	EN-49979	Crankshaft balancer/pulley Holding Tool

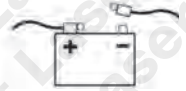
## Applications

Make, Model, Range, Year			Engine Codes		
<b>Chevrolet</b>	Aveo	2011 - 2015	<b>1,2 petrol</b>	LDD/A14XEL	<b>1.6 CDTi ecoFLEX</b> B16DTC B16DTE B16DTH B16DTJ B16DTL B16DTN B16DTR B16DTU D16DTH D16DTI D16DTJ D16DTN D16DTR D16DTU
	Cruze	2012 - 2015	L2Q/A12XEL	LDD/A14XER	
	Orlando	2012 - 2015	LDC/A12XER	LDD/B14XEJ	
	Trax	2013 - 2015	LWD/A12XEL	LDD/B14XEL	
	Volt	2012 - 2014	<b>1,4 petrol</b>	LDD/B14XER	
<b>Vauxhall/ Opel</b>	Adam	2012 - 2019	LDD/A14XEL	LUH/A14NEL	
	Adam Rocks	2014 - 2019	LDD/A14XER	LUH/B14NEL	
	Ampera	2011 - 2015	LUJ/A14NET	LUJ/A14NEL	
	Astra J, K	2009 - on	LUJ/B14NET	LUJ/A14NET	
	Cascada	2013 - 2019	LUU	LUJ/B14NEH	
	Corsa D, E	2009 - on	LUV	LUJ/B14NEJ	
	GTC	2015 - 2019	A10XEP	LUJ/B14NEL	
	Insignia A, B	2011 - 2011	LWD/A12XEL	LUJ/B14NET	
	Meriva-B	2010 - 2017	LWD/B12XEL	LUJ/D14NEH	
	Mokka / Mokka X	2012 - on	LDC/B12XEL	LUJ/D14NEJ	
Zafira-C Tourer	2011 - 2019	A12XEL	LUJ/D14NEL		
		A12XER	LUJ/D14NET		
		A14NEL	LUU/A14XFL		
		A14XEL	L2Z/A14XEL		
		A14XER			

Always refer to the website for most up to date applications: [www.lasertools.co.uk/product/6966](http://www.lasertools.co.uk/product/6966)

The following instructions are for guidance only. Please refer to OEM derived data such as the vehicles manufactures own data or Autodata.

The use of this crankshaft pulley holding tool is purely down to the user's discretion and The Tool Connection Ltd cannot be held responsible for any damage caused what so ever.



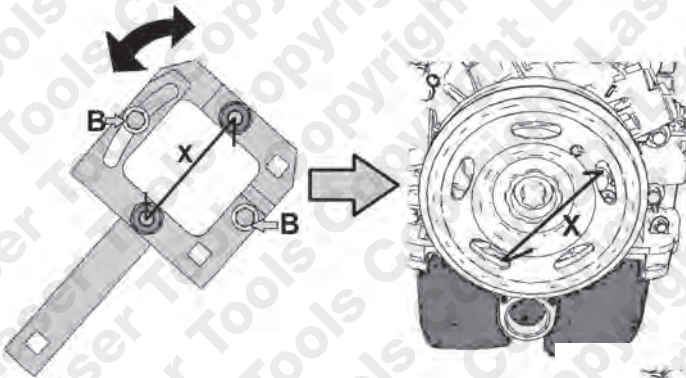
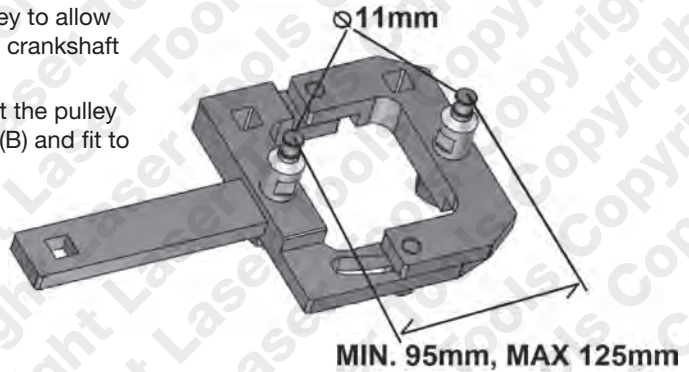
## Instructions

This adjustable tool is used to hold the crankshaft front balancer/pulley to allow safe removal and fitting of the crankshaft balancer/pulley fixing bolts.

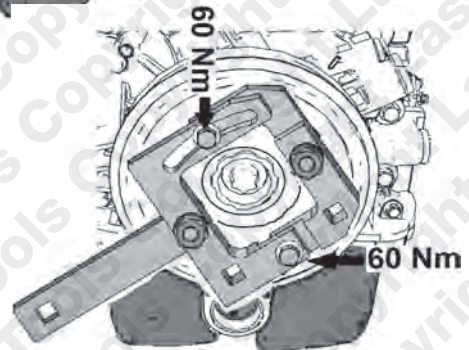
In order to adjust the tool to fit the pulley first loosen the adjuster bolts (B) and fit to the pulley.

Tighten the adjuster bolts (60Nm maximum).

The tool is now ready for use. See OEM instructions according to application.



The crankshaft balancer can in some cases be incorrectly installed 180° from the required position. Be sure to note the location of the alignment hole on the crankshaft balancer prior to removal and ensure the same orientation is used when refitting the crankshaft balancer.



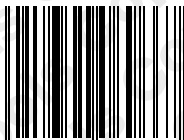


## Safety First. Be Protected.

Our products are designed to be used correctly and with care for the purpose for which they are intended. No liability is accepted by the Tool Connection for incorrect use of any of our products, and the Tool Connection cannot be held responsible for any damage to personnel, property or equipment when using the tools. Incorrect use will also invalidate the warranty.

If applicable, the applications database and any instructional information provided has been designed to offer general guidance for a particular tool's use and while all attention is given to the accuracy of the data no project should be attempted without referring first to the manufacturer's technical documentation (workshop or instruction manual) or the use of a recognised authority such as Autodata.

It is our policy to continually improve our products and thus we reserve the right to alter specifications and components without prior notice. It is the responsibility of the user to ensure the suitability of the tools and information prior to their use.



When you have finished with this product please recycle it

[www.lasertools.co.uk](http://www.lasertools.co.uk)

### Guarantee



Distributed by The Tool Connection Ltd  
Kineton Road, Southam, Warwickshire CV47 0DR  
T +44 (0) 1926 815000 F +44 (0) 1926 815888  
info@toolconnection.co.uk [www.toolconnection.co.uk](http://www.toolconnection.co.uk)

If this product fails through faulty materials or workmanship, contact our service department direct on: **+44 (0) 1926 818186**. Normal wear and tear are excluded as are consumable items and abuse.

6966\_Instructions\_V2

[www.lasertools.co.uk](http://www.lasertools.co.uk)