

LASER[®]

Part No. 7117

Crankshaft Holding & Removal Tool

Vauxhall/Opel 1.0lt & 1.4lt

Instructions



www.lasertools.co.uk



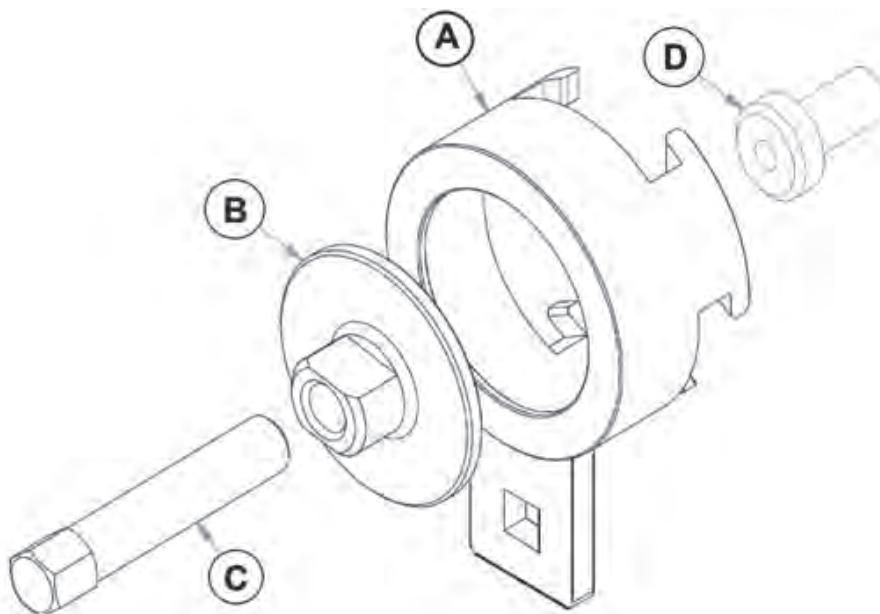
Introduction

Crankshaft Holding & Removal Tool

Designed to hook securely onto the front crankshaft pulley on the new 1.0lt and 1.4lt petrol Vauxhall/Opel engines to allow the central bolt to be removed and then allow the pulley to be drawn off in a controlled manner.

- For engine timing Laser recommend the use of Laser 7033 Timing Chain kit.

Components



ID.	COMP.No.	OEM No.	DESCRIPTION
A	C836	EN-44226-1	Crankshaft Pulley Holding Tool
B	C837	EN-44226-2	Thrust Disc
C	C837		Puller Bolt
D	C846	EN-44226-5	Crankshaft Protector

Applications

Make/Model,Year.				Engine Codes	
VAUXHALL/OPEL	KARL	2015-2017	ECOFLEX	1,0	1,4
	VIVA	2015-2017	TURBO	L5Q/B10XE	LV7/B14XE
	ASTRA K	2015-2017		LWT/B10XL	LE2/B14XHL
					LE2/B14XHT

The following instructions are for guidance only. Please refer to OEM derived data such as the vehicles manufactures own data or Autodata.

The use of this Crankshaft Pulley Tool is purely down to the user's discretion and The Tool Connection Ltd. cannot be held responsible for any damage caused what so ever.

N.B. Always turn the engine in normal direction of rotation.

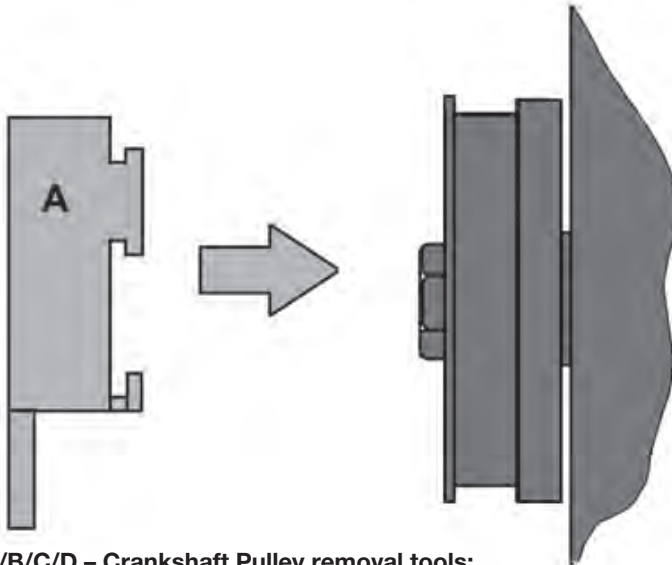
Do not use timing tools to torque or loosen fixings against unless otherwise stated.



Instructions

Component A – Crankshaft Pulley Holding Tool:

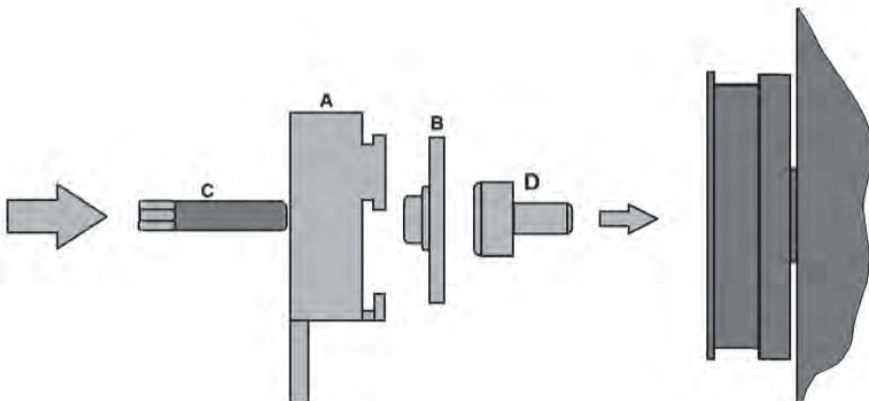
Use **Component A** on its own with a suitable ½”D bar or wrench to hold the crankshaft pulley still whilst undoing the pulley fixing bolt.



Component A/B/C/D – Crankshaft Pulley removal tools:

Use components A, B, C & D to draw off the crankshaft pulley after the pulley bolt has been removed.

Place component D into the end of the crankshaft, place component B inside component A and hook A on to the pulley. Lubricate component C with Molybdenum Disulphide grease and screw the force screw into component B so that it pulls the pulley off by pushing on component D.







Safety Warnings - please read

- Wear eye and hand protection when using this tool kit.
- Always carefully clean the tool components after each use.
- Keep the tool components safe and tidy in the supplied case.
- Do not use the kit for any purpose other than for which it is designed.



Safety First. Be Protected.

Our products are designed to be used correctly and with care for the purpose for which they are intended. No liability is accepted by the Tool Connection for incorrect use of any of our products, and the Tool Connection cannot be held responsible for any damage to personnel, property or equipment when using the tools. Incorrect use will also invalidate the warranty.

If applicable, the applications database and any instructional information provided has been designed to offer general guidance for a particular tool's use and while all attention is given to the accuracy of the data no project should be attempted without referring first to the manufacturer's technical documentation (workshop or instruction manual) or the use of a recognised authority such as Autodata.

It is our policy to continually improve our products and thus we reserve the right to alter specifications and components without prior notice. It is the responsibility of the user to ensure the suitability of the tools and information prior to their use.



7117_Instructions_V2



www.lasertools.co.uk

Guarantee



Distributed by The Tool Connection Ltd

Kineton Road, Southam, Warwickshire CV47 0DR
T +44 (0) 1926 815000 F +44 (0) 1926 815888
info@toolconnection.co.uk www.toolconnection.co.uk

If this product fails through faulty materials or workmanship, contact our service department direct on: **+44 (0) 1926 818186**. Normal wear and tear are excluded as are consumable items and abuse.

www.lasertools.co.uk