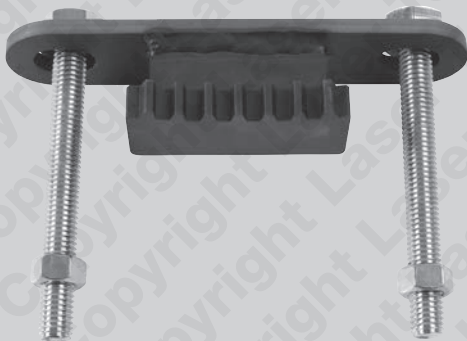


# LASER<sup>®</sup>

7276

## Flywheel Locking Tool

Hyundai/Kia



- Hyundai and Kia applications.
- Engine codes include: 1.1 D3FA, 1.4 D4FC, 1.5 D4FA, 1.6 D4FB, 1.7 D4FD, 3.0 D6EA.
- Equivalent to OEM 09231-2A100.
- Used to lock the flywheel via the starter motor aperture.

[www.lasertools.co.uk](http://www.lasertools.co.uk)

## 7276 - Flywheel Locking Kit

The tool is designed to lock the flywheel via the starter motor aperture on the 1.1, 1.4, 1.5, 1.6, 1.7 CRDi Diesel engines fitted across the Hyundai and Kia ranges. This ensures the crankshaft is locked to allow the crankshaft pulley, clutch bolts and flywheel bolts to be removed and torqued without moving the crankshaft.

When removing or replacing timing chains etc. use with Laser Part No. 5026 Sump Joint Separator and Laser Part No. 6811 HP Fuel Pump Sprocket Tool.

### Components



Ref	Code	OEM	Description
A	C857	09231-2A100	Flywheel Locking Tool

The following instructions are for guidance only. Please refer to OEM derived data such as the vehicles manufactures own data or Autodata. The use of this kit is purely down to the user's discretion and The Tool Connection Ltd cannot be held responsible for any damage caused what so ever.



N.B. Always turn the engine in normal direction of rotation.

### SAFETY WARNING - PLEASE READ

- Personal protection and safety equipment must be used at all times
- Eye protection and protective gloves must be worn when using these tools
- Misuse of tools is unsafe, and can cause engine damage,
- Remove damaged tools from use
- Store in a dry place when not in use

### Applications

Make	Model	Code	Make	Model	Code
Hyundai	Accent	2006-2010	Kia	Carens	2010-2017
	Elantra	2007-2010		Cee'd	2007-2017
	Getz	2005-2010		Cerato	2004-2007
	i10	2008-2010		Optima	2011-2017
	i20	2009-2017		Picanto	2004-2011
	i30	2007-2017		Pro-Cee'd	2008-2017
	i40	2011-2017		Rio	2005-2017
	ix20	2010-2017		Soul	2009-2017
	ix35	2010-2016		Sportage	2010-2017
	ix55/Vera Cruz	2008-2013		Venga	2009-2017
Matrix	2006-2011				
Tucson	2015-2017				

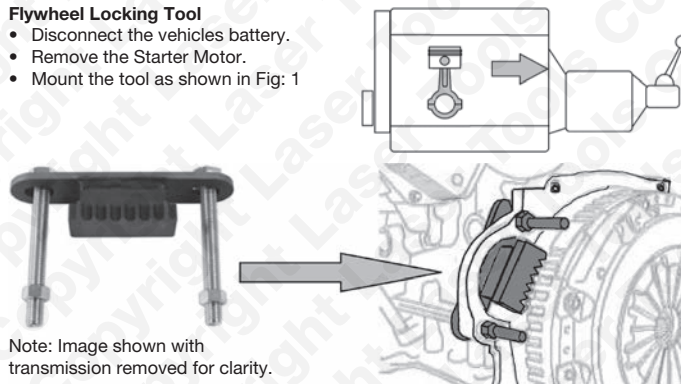
### Engine Codes

1.1	D3FA, D3FA(U2), D3FF
1.4	D4FC(U1), D4FC(U2)
1.5	D4FA, D4FA-L, D4FA-H
1.6	D4FB(U2), D4FB(U1), D4FB-H(U1), D4FB-H(U2), D4FB-L(U1), D4FB-L(U2), D4FB
1.7	D4FD-H(U2), D4FD-L(U2), D4FD(U2), D4FD
3.0	D6EA

### Instructions

#### Flywheel Locking Tool

- Disconnect the vehicles battery.
- Remove the Starter Motor.
- Mount the tool as shown in Fig: 1



Note: Image shown with transmission removed for clarity.

Our products are designed to be used correctly and with care for the purpose for which they are intended. No liability is accepted by the Tool Connection for incorrect use of any of our products, and the Tool Connection cannot be held responsible for any damage to personnel, property or equipment when using the tools. Incorrect use will also invalidate the warranty.

If applicable, the applications database and any instructional information provided has been designed to offer general guidance for a particular tool's use and while all attention is given to the accuracy of the data no project should be attempted without referring first to the manufacturer's technical documentation (workshop or instruction manual) or the use of a recognised authority such as Autodata.

It is our policy to continually improve our products and thus we reserve the right to alter specifications and components without prior notice. It is the responsibility of the user to ensure the suitability of the tools and information prior to their use.



**Safety First. Be Protected.**

7276\_Instructions\_V1



5 018341 072766 >

## Guarantee

If this product fails through faulty materials or workmanship, contact our service department direct on: **+44 (0) 1926 818186**. Normal wear and tear are excluded as are consumable items and abuse.

 **TOOL  
CONNECTION**

The Complete Connection

Distributed by The Tool Connection Ltd

Kineton Road, Southam, Warwickshire CV47 0DR

T +44 (0) 1926 815000 F +44 (0) 1926 815888

info@toolconnection.co.uk [www.toolconnection.co.uk](http://www.toolconnection.co.uk)

[www.lasertools.co.uk](http://www.lasertools.co.uk)